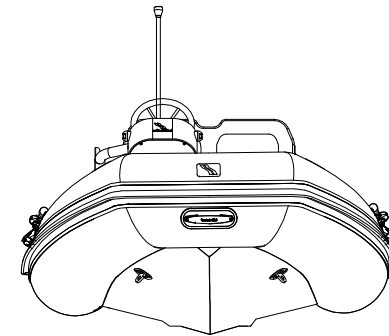
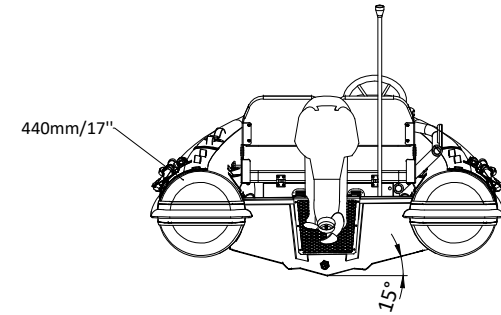
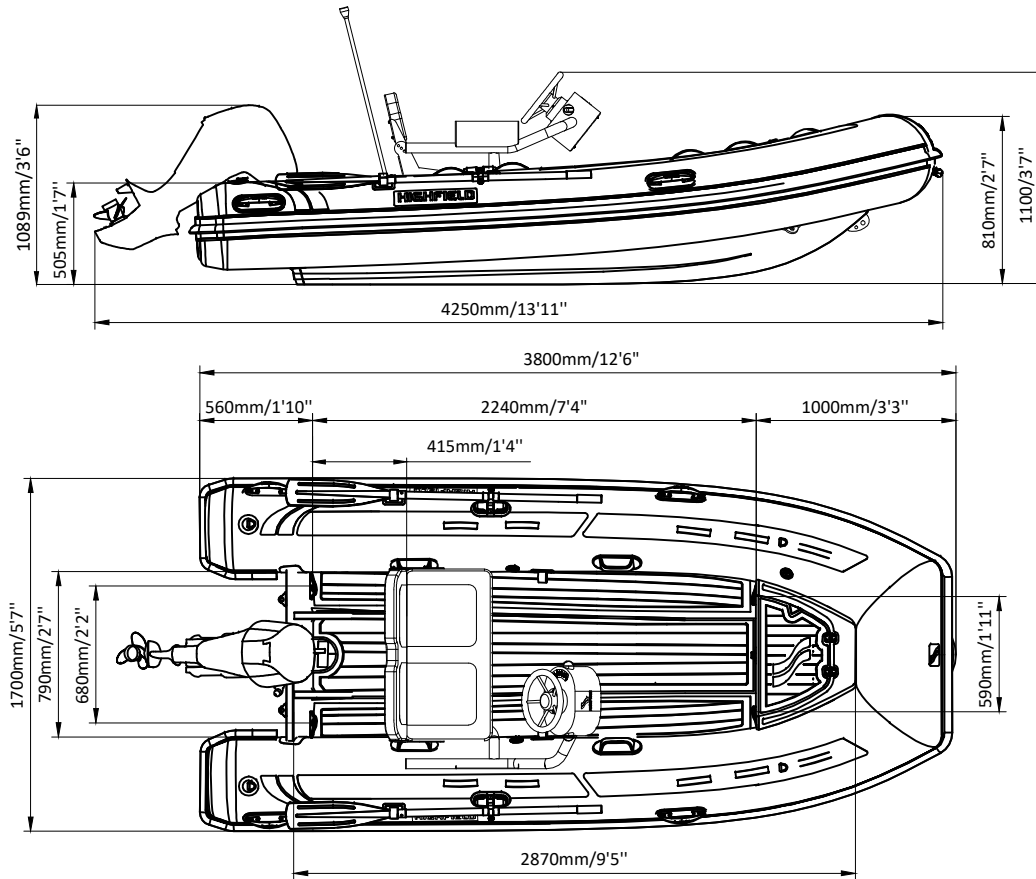


CLASSIC 380

(Short Shaft)

SPECIFICATIONS



SPECIFICATIONS AND MAXIMUM CAPACITIES (Subject to change without notice. Tolerances: dimensions $\pm 2.5\%$, weights $\pm 5\%$) Note: red means lifting eyes.

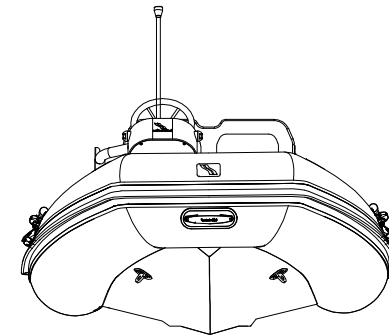
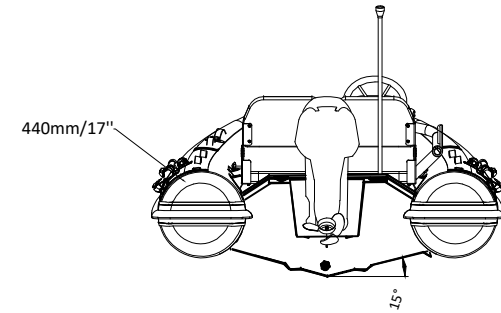
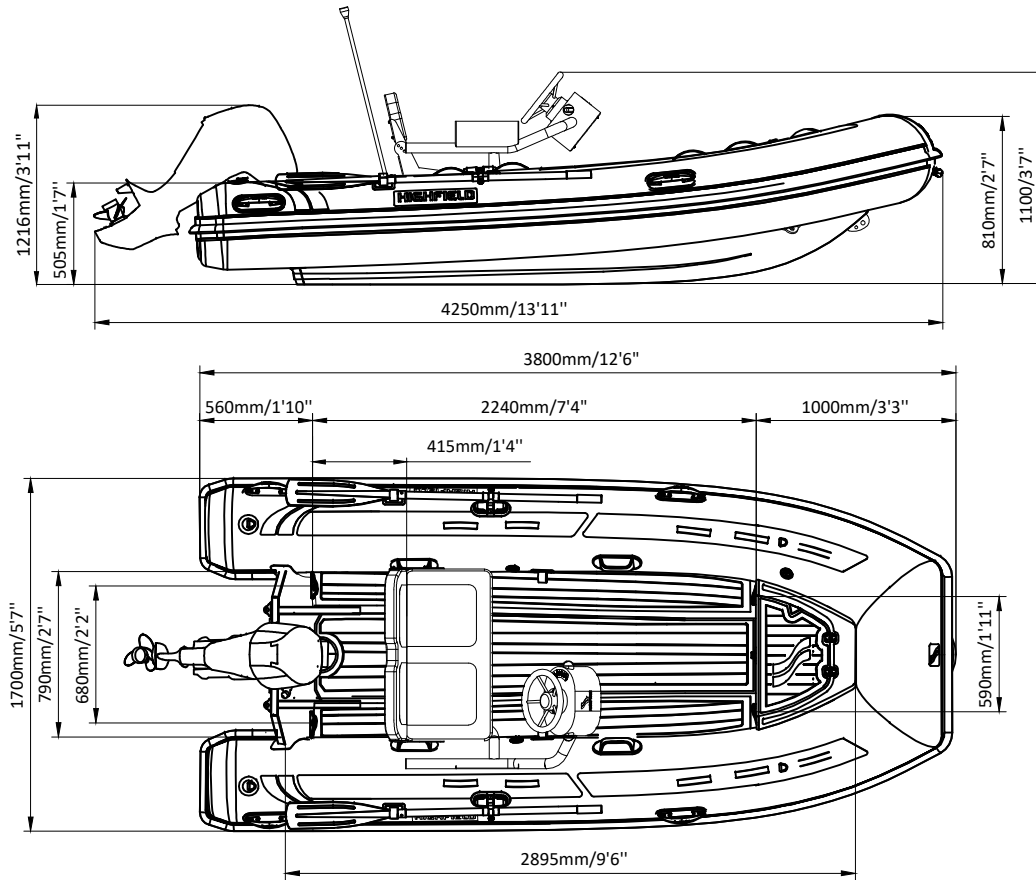
MODEL	ISO 6185 PART	ISO 6185	Crew		#	Weight		Shaft	Outboard Engine				FCT		Molded seat		Oars		Fuel tank Capacity		Wet Weight (Approximate) 30HP (22.38KW)		AIR CHAMBERS	Pressure			
			KG	LB		KG	LB		Max power	Max weight	KG	LB	KG	LB	KG	LB	L	GAL	KG	LB	PSI	BAR					
									KW	HP	KG	LB															
CL380	3	C	637	1404	7	525	1157	S	22.38	30	124.1	274	83	183	36	79	3	6.6	1.5	3.3	/	/	248	547	3	3.63	0.25

Weight: boat only.

CLASSIC 380 LS

(Long Shaft)

SPECIFICATIONS



SPECIFICATIONS AND MAXIMUM CAPACITIES (Subject to change without notice. Tolerances: dimensions ±2.5%, weights ±5%) Note: red means lifting eyes.

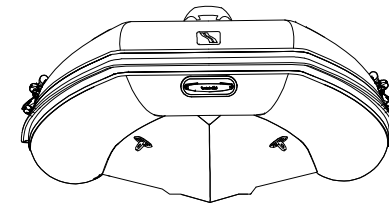
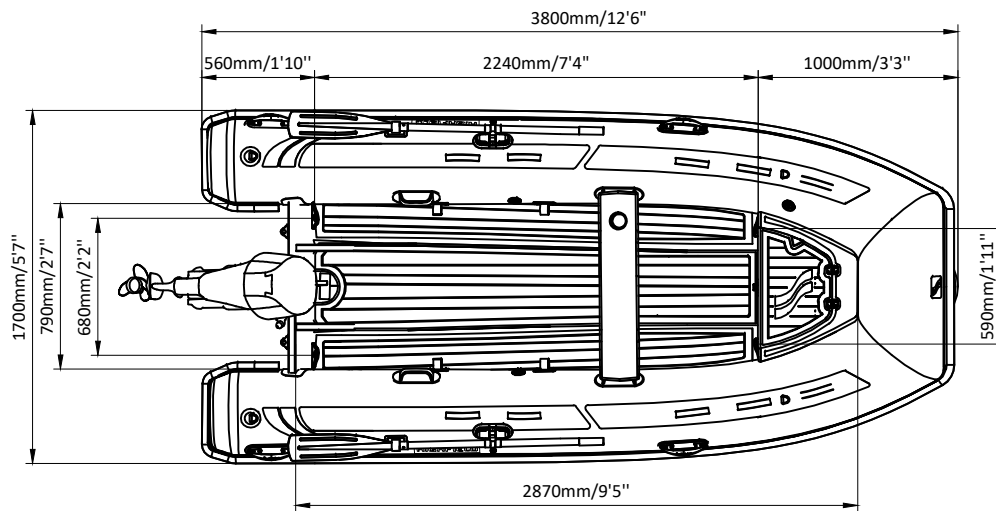
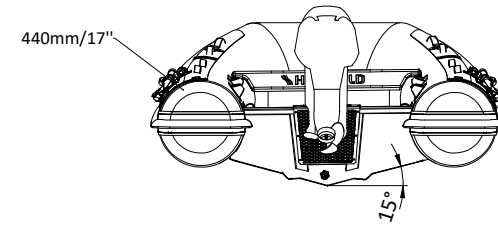
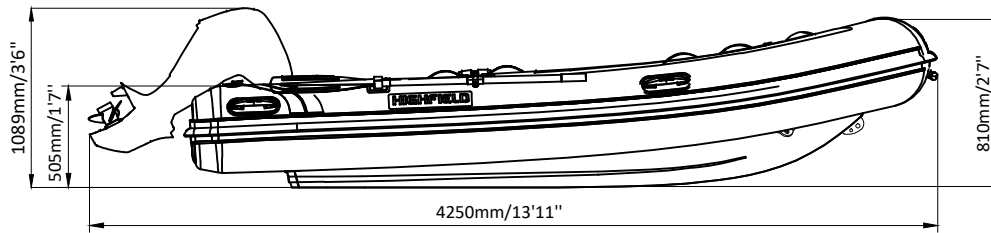
MODEL	ISO 6185 PART	ISO 6185	Personnel		#	Weight		Shaft	Outboard Engine				FCT		Molded seat		Oars		Fuel tank Capacity		Wet Weight (Approximate) 30HP (22.38KW)		AIR CHAMBERS	Pressure			
			KG	LB		KG	LB		Max power	Max weight	KG	LB	KG	LB	KG	LB	L	GAL	KG	LB	PSI	BAR					
									KW	HP	KG	LB															
CL380	3	C	637	1404	7	525	1157	L	22.38	30	124.1	274	83	183	36	79	3	6.6	1.5	3.3	/	/	248	547	3	3.63	0.25

Weight: boat only.

CLASSIC 380

(Short Shaft)

SPECIFICATIONS



SPECIFICATIONS AND MAXIMUM CAPACITIES (Subject to change without notice. Tolerances: dimensions $\pm 2.5\%$, weights $\pm 5\%$) Note: red means lifting eyes.

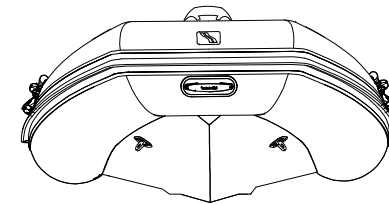
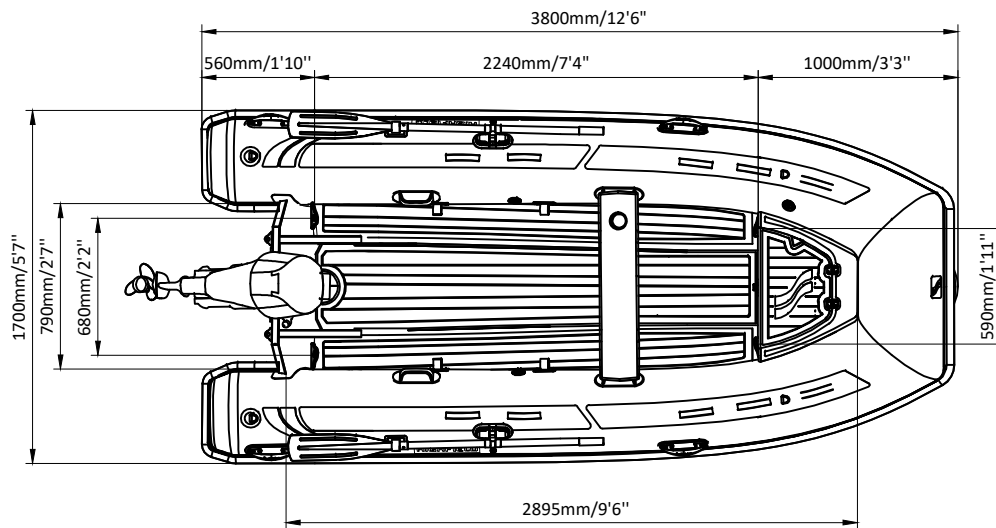
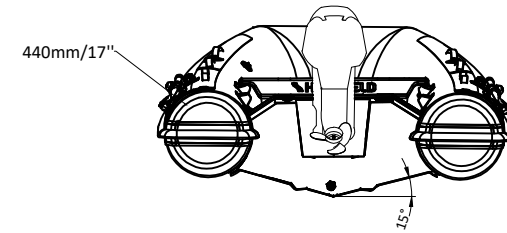
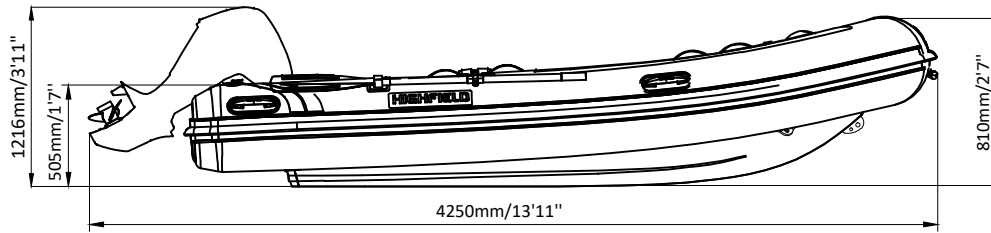
MODEL	ISO 6185 PART	ISO 6185	Crew		#	Weight		Shaft	Outboard Engine				Molded seat		Oars		/		Fuel tank Capacity		Wet Weight (Approximate) 30HP (22.38KW)		AIR CHAMBERS	Pressure			
			KG	LB		KG	LB		Max power	Max weight	KG	LB	KG	LB	KG	LB	L	GAL	KG	LB	PSI	BAR					
									KW	HP	KG	LB															
CL380	3	C	637	1404	7	525	1157	S	22.38	30	124.1	274	83	183	3	6.6	1.5	3.3	/	/	/	/	212	467	3	3.63	0.25

Weight: boat only.

CLASSIC 380 LS

(Long Shaft)

SPECIFICATIONS



SPECIFICATIONS AND MAXIMUM CAPACITIES (Subject to change without notice. Tolerances: dimensions $\pm 2.5\%$, weights $\pm 5\%$) Note: red means lifting eyes.

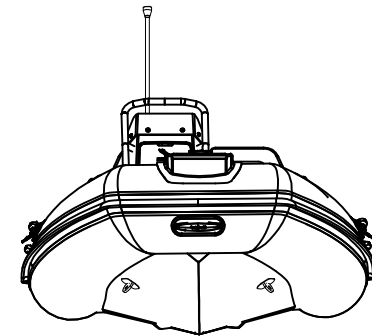
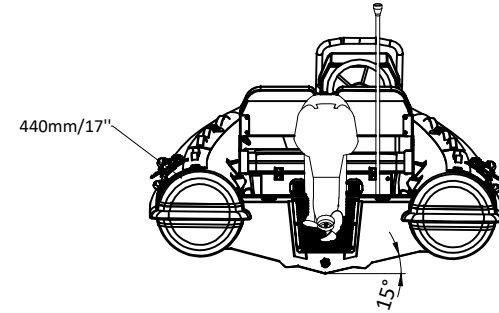
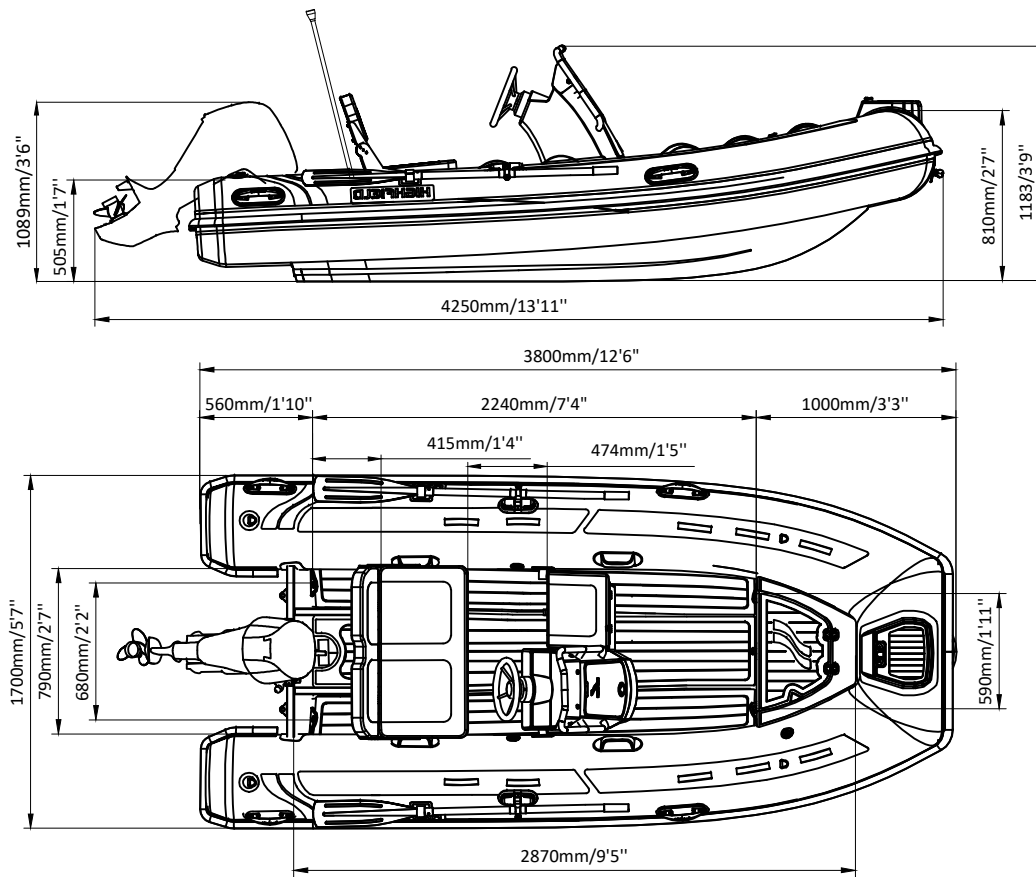
MODEL	ISO 6185 PART	ISO 6185	Person		#	Person		Shaft	Outboard Engine				Molded seat		Oars		/		Fuel tank Capacity		Wet Weight (Approximate) 30HP (22.38KW)		AIR CHAMBERS	Pressure			
			KG	LB		KG	LB		Max power	Max weight	KG	LB	KG	LB	KG	LB	L	GAL	KG	LB	PSI	BAR					
									KW	HP	KG	LB															
CL380	3	C	637	1404	7	525	1157	L	22.38	30	124.1	274	83	183	3	6.6	1.5	3.3	/	/	/	/	212	467	3	3.63	0.25

Weight: boat only.

CLASSIC 380

(Short Shaft)

SPECIFICATIONS



SPECIFICATIONS AND MAXIMUM CAPACITIES (Subject to change without notice. Tolerances: dimensions $\pm 2.5\%$, weights $\pm 5\%$) Note: red means lifting eyes.

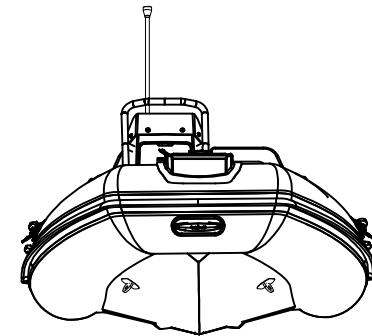
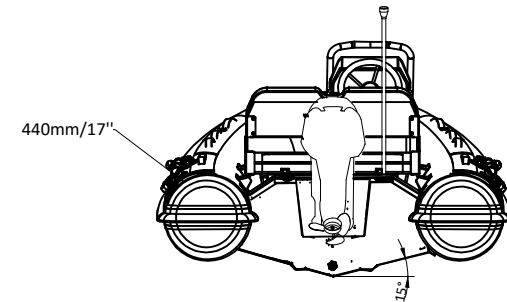
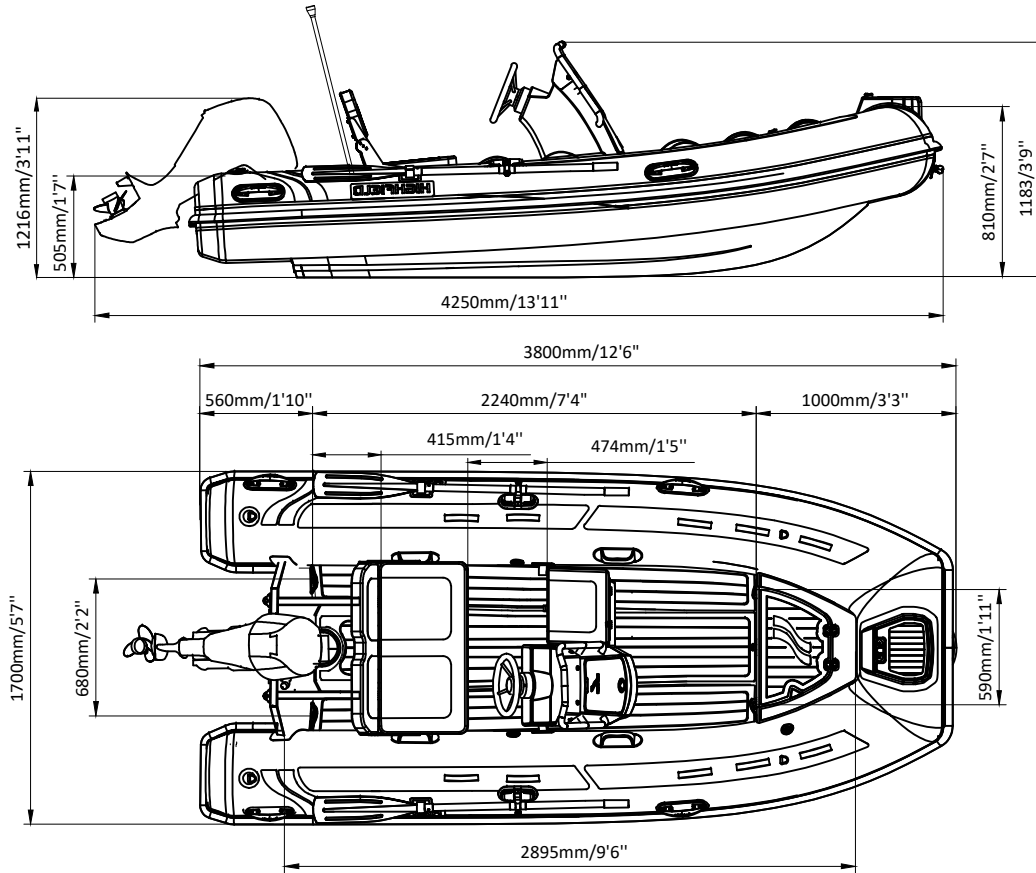
MODEL	ISO 6185 PART	ISO 6185	Person		#	Person		Shaft	Outboard Engine				GT CONSOLE		RS7		Oars		Fuel tank Capacity		Wet Weight (Approximate) 30HP (22.38KW)		AIR CHAMBERS	Pressure			
			KG	LB		KG	LB		Max power	Max weight	KG	LB	KG	LB	KG	LB	KG	LB	L	GAL	KG	LB		PSI	BAR		
									KW	HP	KG	LB															
CL380	3	C	637	1404	7	525	1157	S	22.38	30	124.1	274	83	183	25.5	56	20.3	44.8	1.5	3.3	/	/	254.4	561.1	3	3.63	0.25

Weight: boat only.

CLASSIC 380 LS

(Long Shaft)

SPECIFICATIONS



SPECIFICATIONS AND MAXIMUM CAPACITIES (Subject to change without notice. Tolerances: dimensions ±2.5%, weights ±5%) Note: red means lifting eyes.

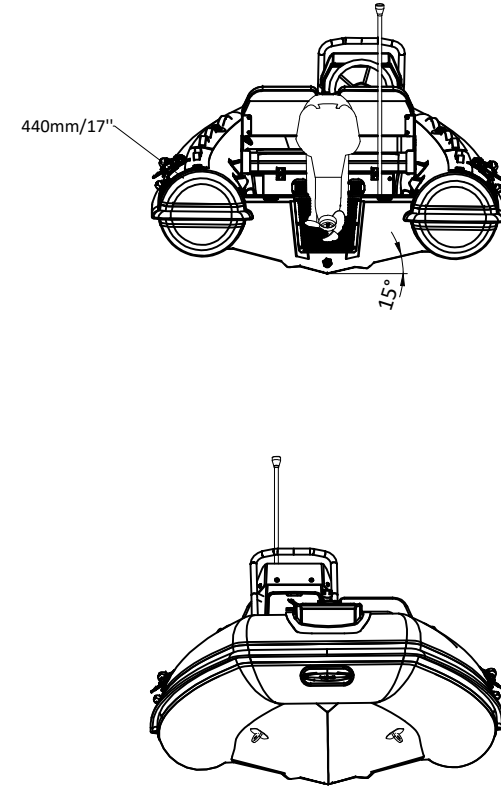
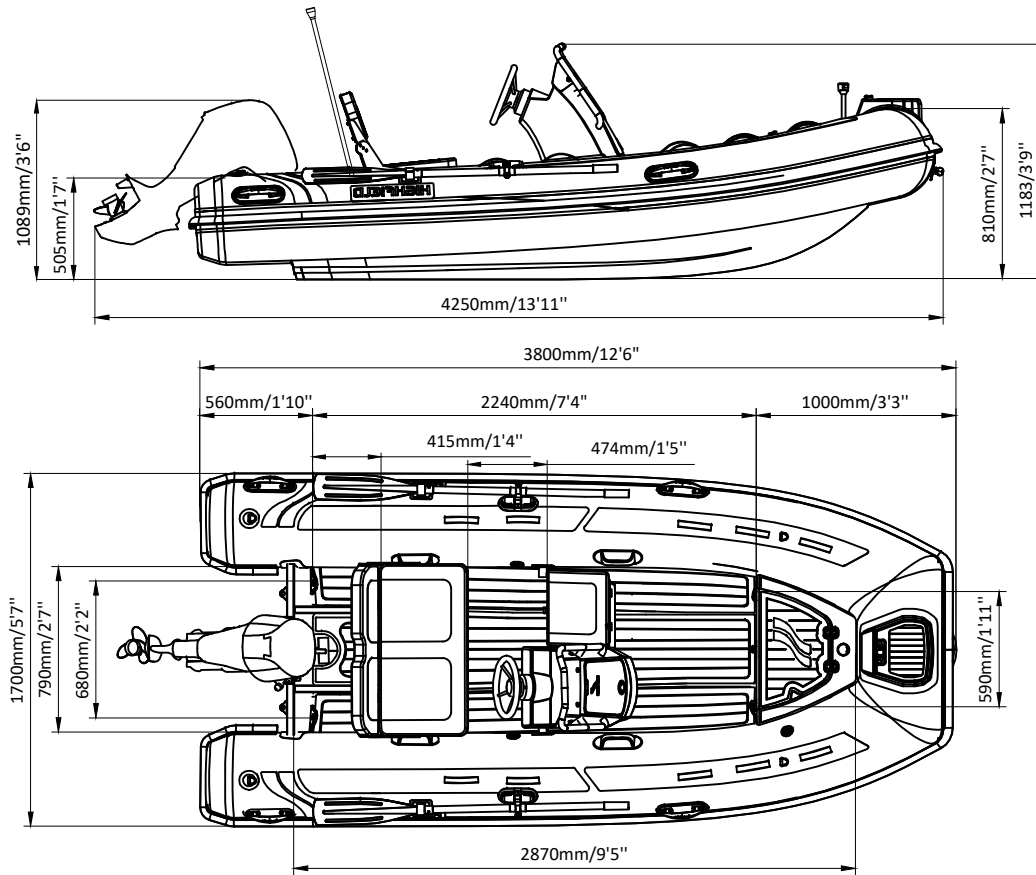
MODEL	ISO 6185 PART	ISO 6185	Person		#	Person		Shaft	Outboard Engine				GT CONSOLE		RS7		Oars		Fuel tank Capacity		Wet Weight (Approximate) 30HP (22.38KW)		AIR CHAMBERS	Pressure			
			KG	LB		KG	LB		Max power	Max weight	KG	LB	KG	LB	KG	LB	KG	LB	L	GAL	KG	LB		PSI	BAR		
									KW	HP	KG	LB															
CL380	3	C	637	1404	7	525	1157	L	22.38	30	124.1	274	83	183	25.5	56	20.3	44.8	1.5	3.3	/	/	254.4	561.1	3	3.63	0.25

Weight: boat only.

CLASSIC 380

(Short Shaft)

SPECIFICATIONS



SPECIFICATIONS AND MAXIMUM CAPACITIES (Subject to change without notice. Tolerances: dimensions $\pm 2.5\%$, weights $\pm 5\%$) Note: red means lifting eyes.

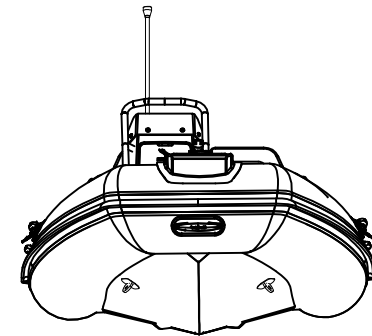
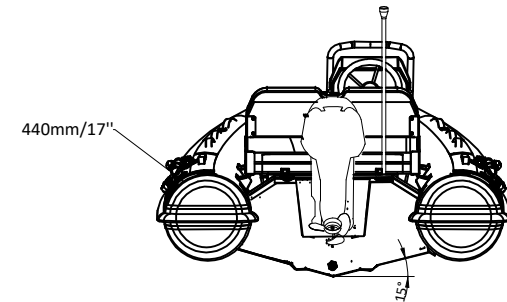
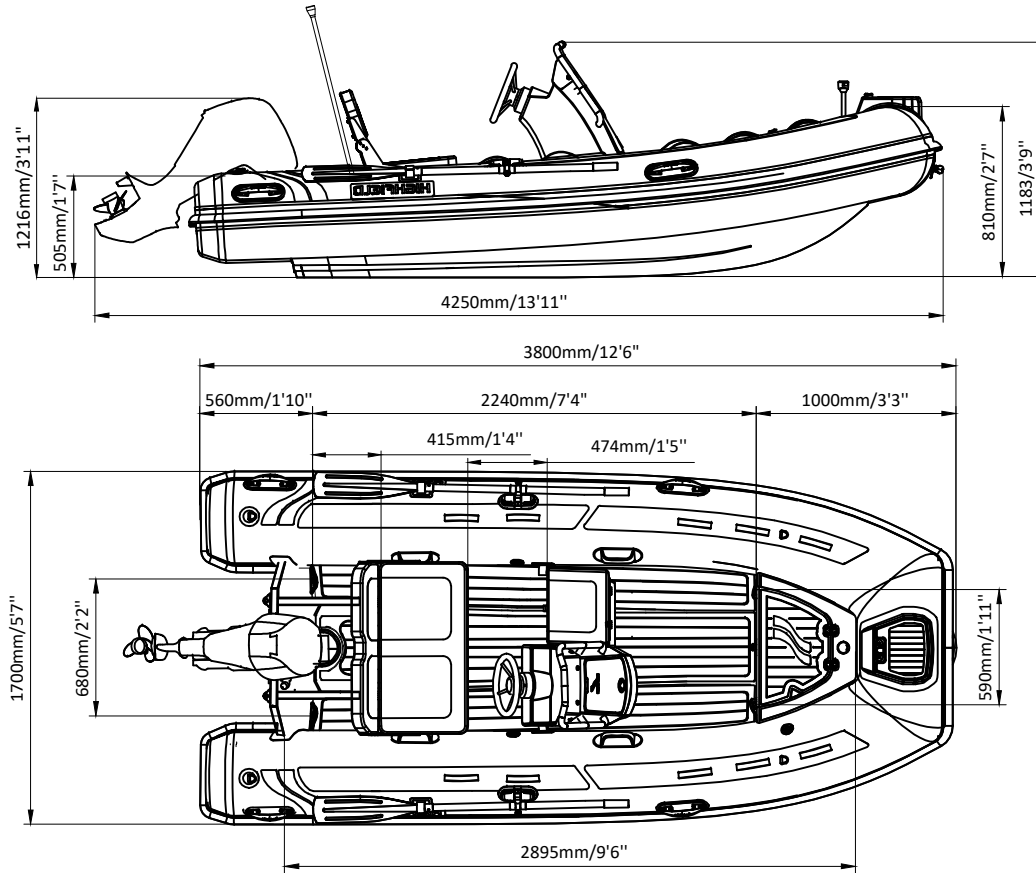
MODEL	ISO 6185 PART	ISO 6185	Occupants		#	Weight		Shaft	Outboard Engine				GT CONSOLE		RS7		Oars		Fuel tank Capacity		Wet Weight (Approximate) 30HP (22.38KW)		AIR CHAMBERS	Pressure			
			KG	LB		KG	LB		KG	LB	KG	LB	KG	LB	KG	LB	L	GAL	KG	LB	PSI	BAR					
			Max power	Max weight																							
CL380	3	C	637	1404	7	525	1157	S	22.38	30	124.1	274	83	183	25.5	56	20.3	44.8	1.5	3.3	/	/	254.4	561.1	3	3.63	0.25

Weight: boat only.

CLASSIC 380 LS

(Long Shaft)

SPECIFICATIONS



SPECIFICATIONS AND MAXIMUM CAPACITIES (Subject to change without notice. Tolerances: dimensions ±2.5%, weights ±5%) Note: red means lifting eyes.

MODEL	ISO 6185 PART	ISO 6185	Person		#	Person		Shaft	Outboard Engine				GT CONSOLE		RS7		Oars		Fuel tank Capacity		Wet Weight (Approximate) 30HP (22.38KW)		AIR CHAMBERS	Pressure			
			KG	LB		KG	LB		Max power	Max weight	KG	LB	KG	LB	KG	LB	L	GAL	KG	LB	PSI	BAR					
									KW	HP	KG	LB															
CL380	3	C	637	1404	7	525	1157	L	22.38	30	124.1	274	83	183	25.5	56	20.3	44.8	1.5	3.3	/	/	254.4	561.1	3	3.63	0.25

Weight: boat only.